

# Stove Safety: Feeding the Flames

*michael aguilar*

*valree weythman*

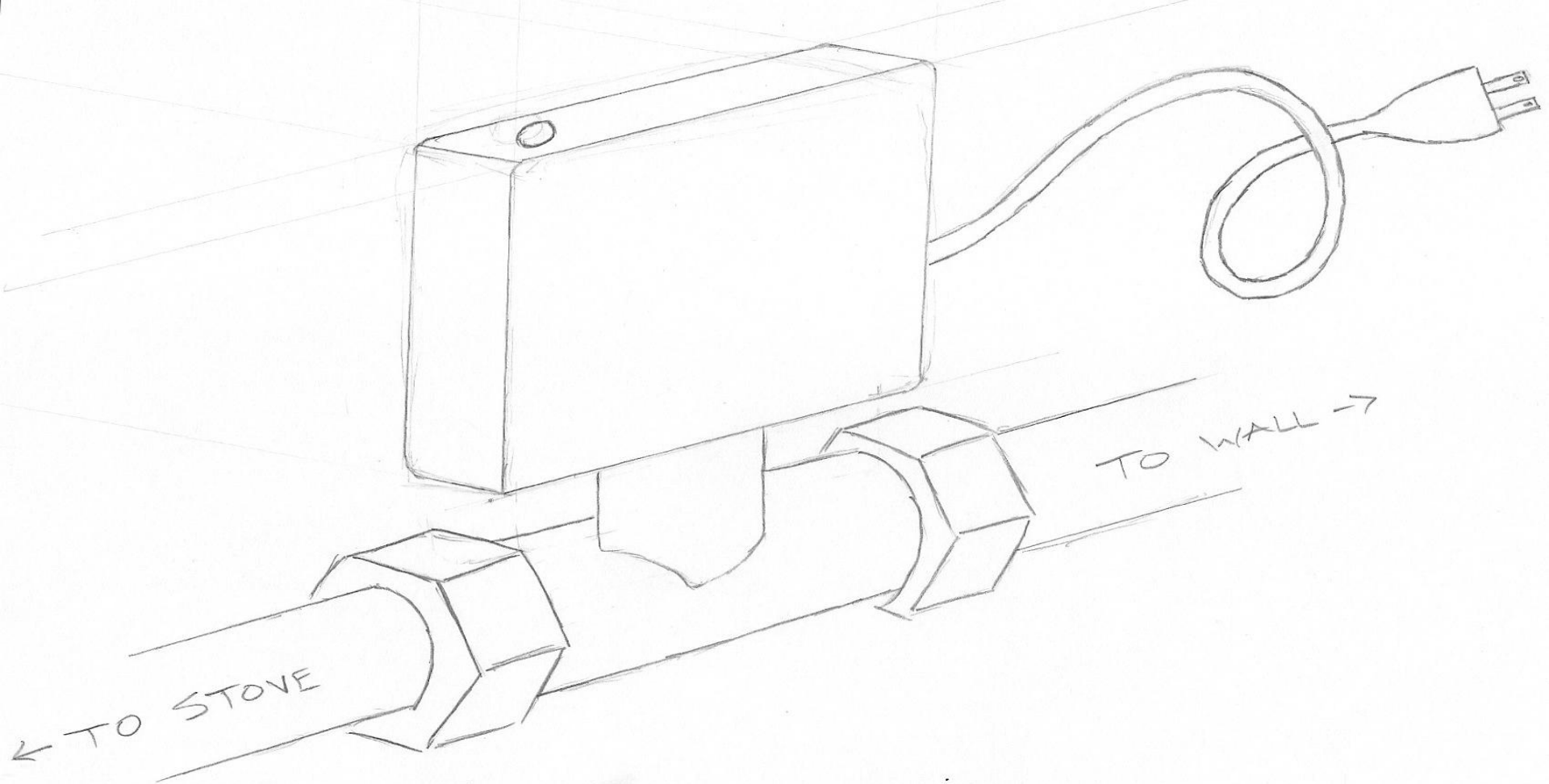
*09 june, 2015*

*information studies 282*

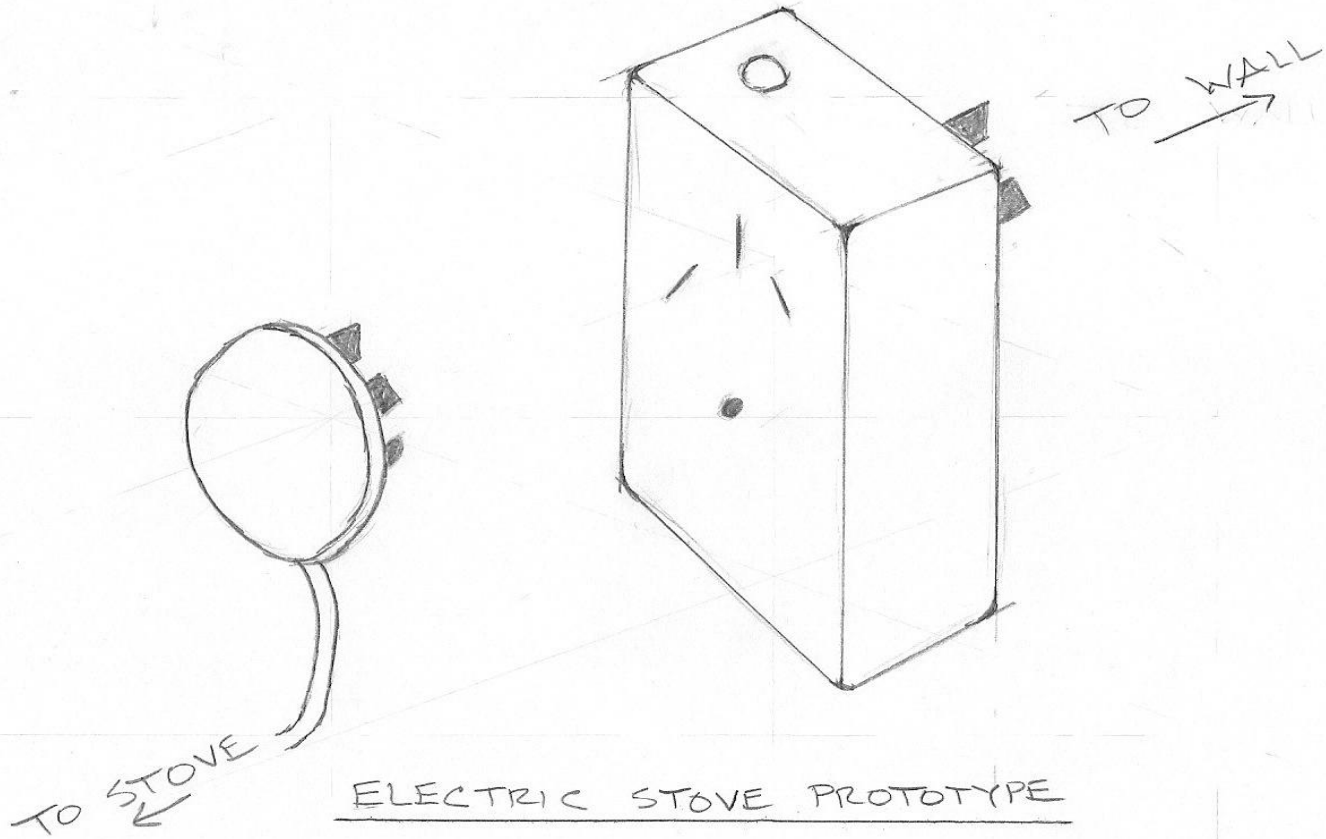








GAS STOVE PROTOTYPE





### MUSHROOM HISS

For a more subtle mushroom flavor, use the cream with the  
same effect.

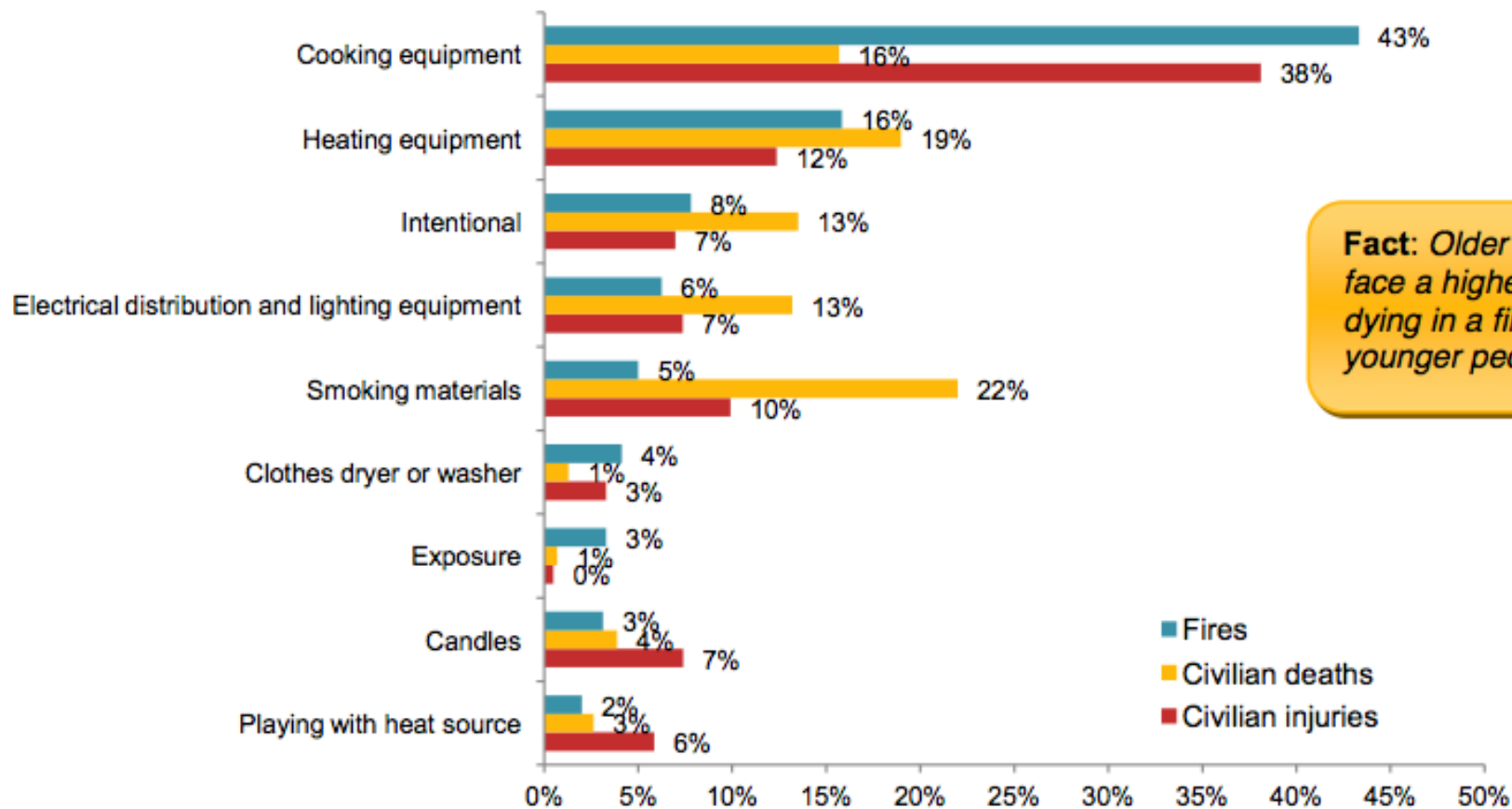
Put the sliced mushrooms in a large bowl and toss with the  
oil, salt, and pepper. Let them sit for 10 minutes to release their  
moisture. Drain them well and pat them dry with a paper towel.

Preheat the oven to 400°F. In a large ovenproof skillet, add the  
oil and heat until it is shimmering. Add the mushrooms and cook  
until they are golden brown, about 10 minutes. Season with salt  
and pepper to taste. Serve immediately.

The high altitude helps to cook them and the moisture on the skin  
helps to keep them soft. To get the most out of the mushrooms,  
it is best to use them when they are still in the pan.



## Leading Causes of Home Structure Fires: 2007-2011



**Fact:** Older adults face a higher risk of dying in a fire than younger people.







# ● References

- *The Internet of Things, Rob van Kranenburg, Erin Anzelo, Alessandro Bassi, Dan Caprio, Sean Dodson, and Matt Ratto, Paper Prepared For the 1st Berlin Symposium on Internet and Society*
- <http://www.marketwatch.com/story/smart-kitchen-appliances-market---global-industry-analysis-size-share-growth-trends-and-forecast-2014---2022-2015-06-03>
- <http://www.usatoday.com/story/tech/2014/01/06/reviewed-ces-dacor-ces/4340941/>
- <http://www.theverge.com/2014/1/7/5285250/whirlpool-touchscreen-stovetop-concept>
- <http://finance.yahoo.com/news/smart-kitchen-appliances-market-expected-143320864.html>
- <http://www.nfpa.org/research/reports-and-statistics/fires-by-property-type/residential/home-structure-fires>
- *A Cross-Sectional Study of the Association Between Ventilation of Gas Stoves and Chronic Respiratory Illnesses in US Children Enrolled in NHANESIII, Molly L Kile, Eric S. Coker, Ellen Smit, Daniel Sudakin, John Molitor, and Anna K Harding, Environmental Health Journal, 2014, 13:71. <http://www.biomedcentral.com/content/pdf/1476-069X-13-71.pdf>*
- “Plug Type A.” IEC - World Plugs. Accessed June 6, 2015. <http://www.iec.ch/worldplugs/typeA.htm>.

- Questions?

